

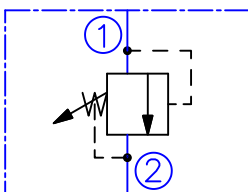
**DESCRIPTION**

A screw-in , cartridge-style , direct-acting , poppet-type , hydraulic relief valve intended for lower flow circuits requiring low internal leakage.

**OPERATION**

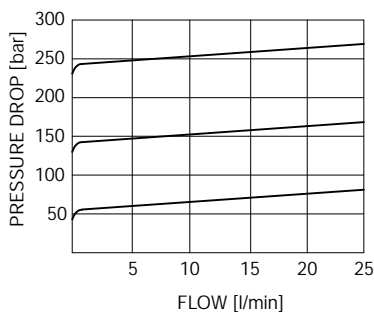
The RV08-2A blocks flow from 1 to 2 until sufficient pressure is present at 1 to force the spring-opposed poppet from its seat.

**SYMBOL**



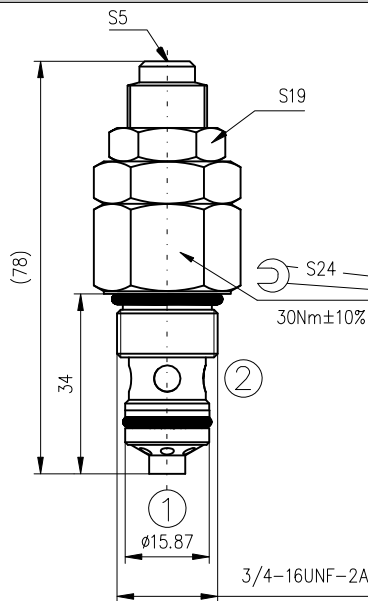
**PERFORMANCE**

Cartridge only  
32cSt oil at 40°C



The Performance Chart illustrates flow handling capacity at max. setting for each spring range option. Pressure rise will vary with spring (range) and with setting within range due to flow forces.

**DIMENSIONS**



**ORDERING CODE**

RV08-2A ... ..

Relief valve

Pressure adjustment range:

10...80bar - 8

40...160bar - 16

80...250bar - 25

Seals:

Buna N - N

Viton V - V

**TECHNICAL DATA**

Operating pressure		250bar
Pressure adjustment range:	RV08-2A8...	10...80 bar
	RV08-2A16...	40...160 bar
	RV08-2A25...	80...250 bar
Rated flow - See Performance Chart		
Internal leakage:		0,25cc/minute at 200bar max. to 75% of nominal setting
Working liquid-hydraulic oils with characteristics:		10...400 cSt 0,025 mm -20...+80°C
	-viscosity -degree of filtration -temperature	
Cavity: See "Cavities and bodies" brochure		CC08-2