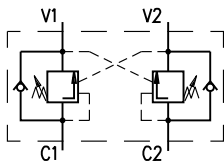


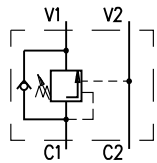
DESCRIPTION

✓ "OVERCENTER" valves with internal pilot operation for pipe mounting- OWC-...E/L...
 ✓ The "OVERCENTER" valves are designed to control moving loads and to prevent loads from running ahead of pump. They lock the load at any position without drift and protect of overloading and thermal expansion by open center control valves.

SYMBOL

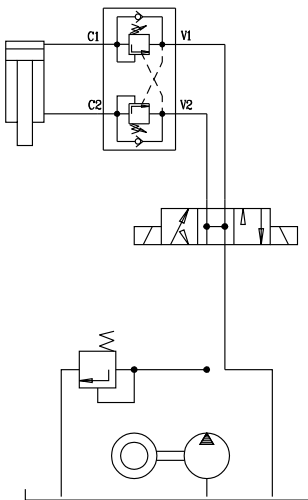


OWC-DE/L...

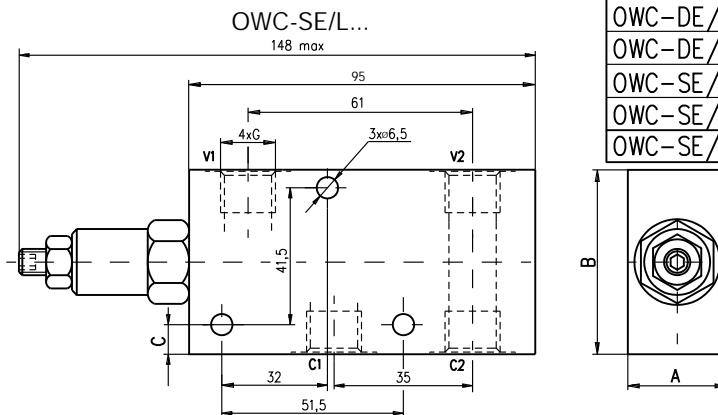
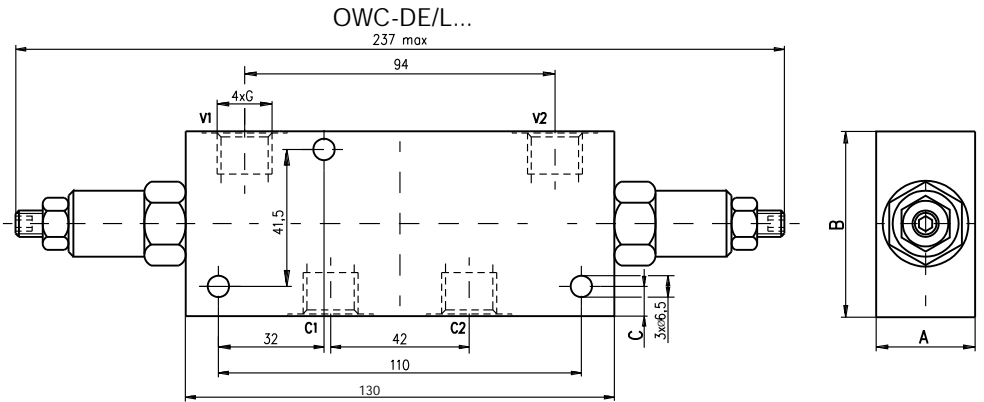


OWC-SE/L...

APPLICATIONS

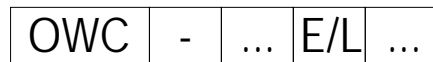


DIMENSIONS



TYPE	G	A	B	C
OWC-DE/L38	G3/8"	30	56	9
OWC-DE/L12	G1/2"	38	65	13,5
OWC-SE/L38	G3/8"	30	56	9
OWC-SE/L12	G1/2"	38	65	13,5
OWC-SE/L14	G1/4"	30	56	9

ORDERING CODE



"OVERCENTER"

Number of valves: double - D
single - S

Modification

Connecting threads: G3/8 - 38
G1/2 - 12

TECHNICAL DATA

Pressure adjustment range		40...250 bar
Rated flow	for all types	35 l/min
Pressure ratio P_w/P_p (work/pilot)	for all types	4/1
Working liquid-hydraulic oils with characteristics:		
-viscosity		10...400 cSt
-degree of filtration		0,025 mm
-temperature		-20...+80°C