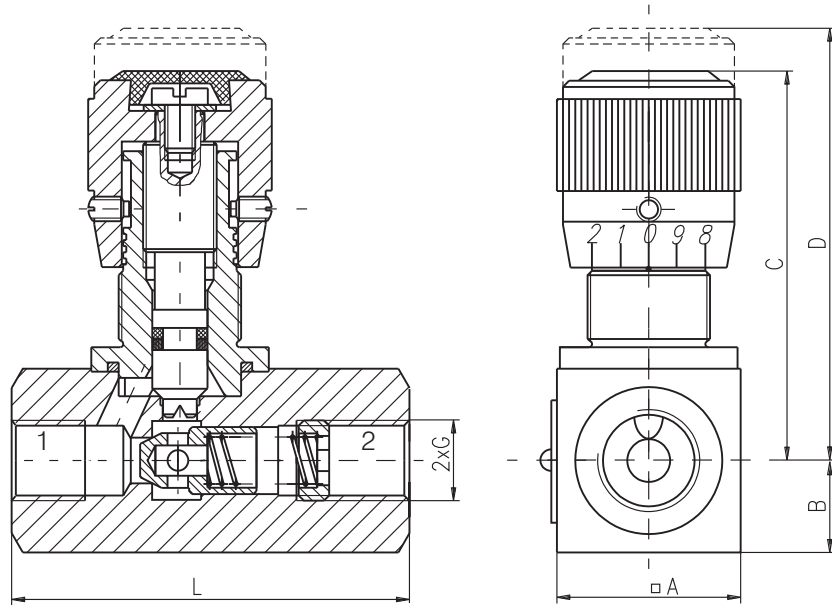
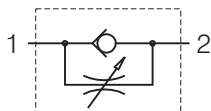


DESCRIPTION

- ✓ Adjustable throttles with check valves for pipe mounting-DROK...T/32-...
- ✓ The throttle check valves limit the flow by adjustable throttling spool at one direction, and allow free return passing on the other.

DIMENSIONS


TYPE	L	A	B	C	D
	mm.				
DROK6T/32-1/4"	65	30	15	63	70
DROK6T/32-3/8"	65	30	15	63	70
DROK10T/32-1/2"	79	32	13,5	66,5	73,5

SYMBOL

ORDERING CODE

DROK *** T / 32 - ***

Adjustable throttle with check valve

Nominal bore: 6mm - 6
10mm - 10

Pipe mounting

Rated pressure: up to 320 bar.-32

Mounting threads: G1/4 - 1/4
G3/8 - 3/8
G1/2 - 1/2

TECHNICAL DATA

Max. Pressure		320 bar
Rated flow ($\Delta p=2,5$ bar.)	DROK6T/32-...	20 l/min
Rated flow ($\Delta p=2,5$ bar.)	DROK10T/32-1/2	40 l/min
Cracking pressure (for check valve)		0,3 bar
Working liquid-hydraulic oils with characteristics:		
-viscosity		10...400 cSt
-degree of filtration		0,025 mm
-temperature		-20...+80°C