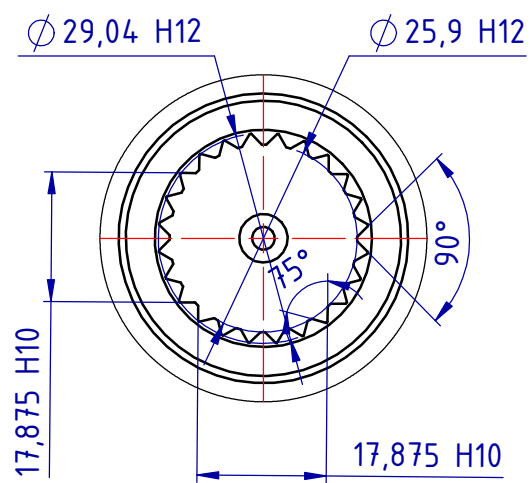
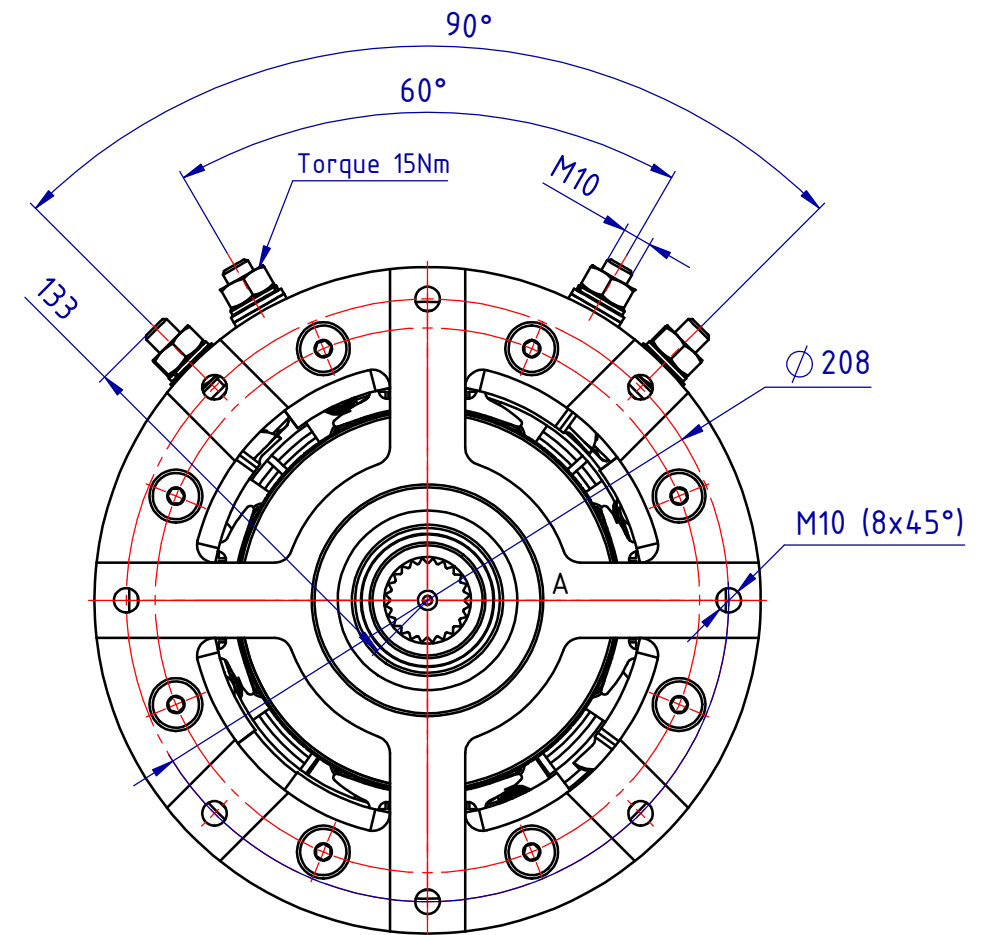
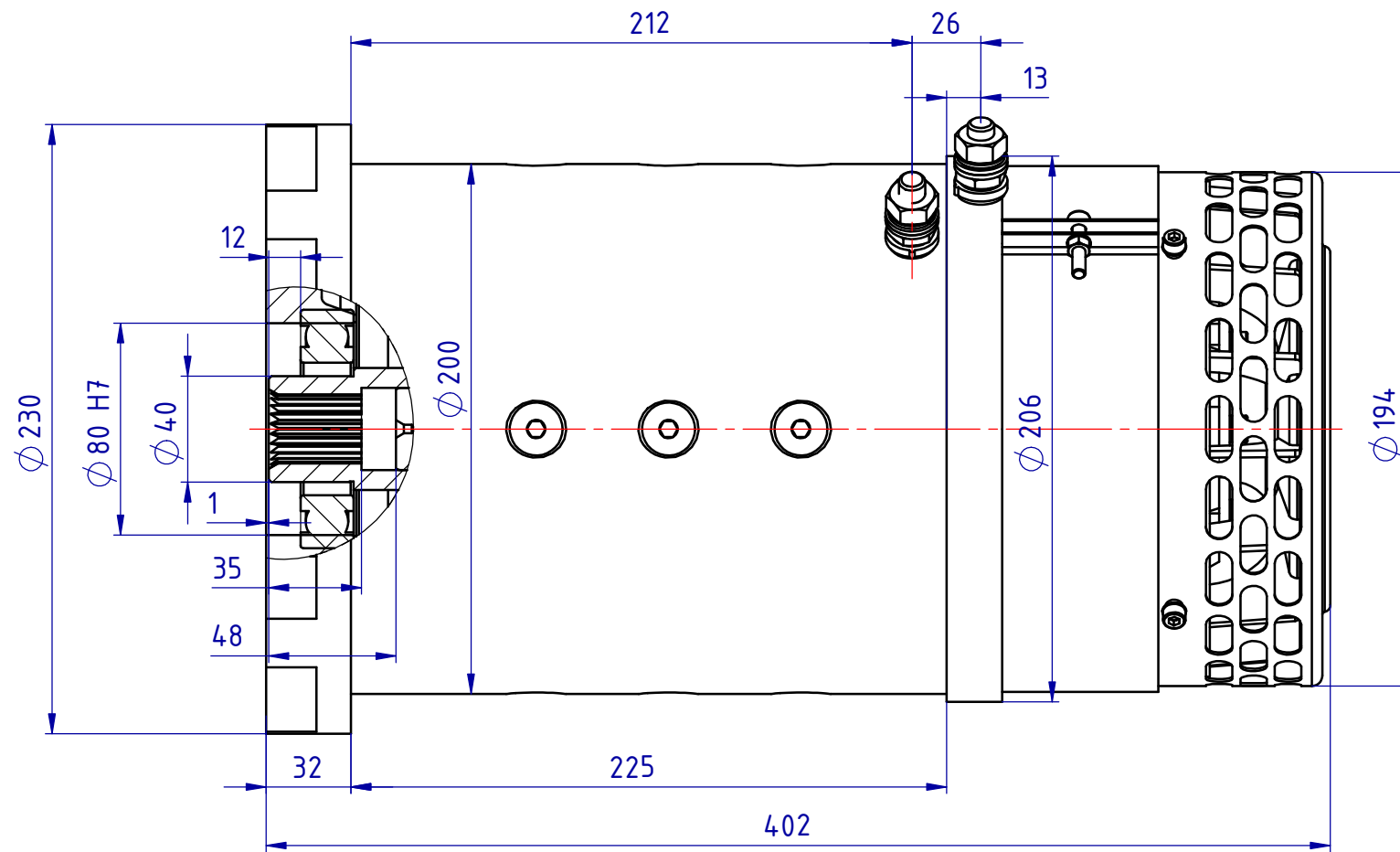


DCM 7,5/4,8/23

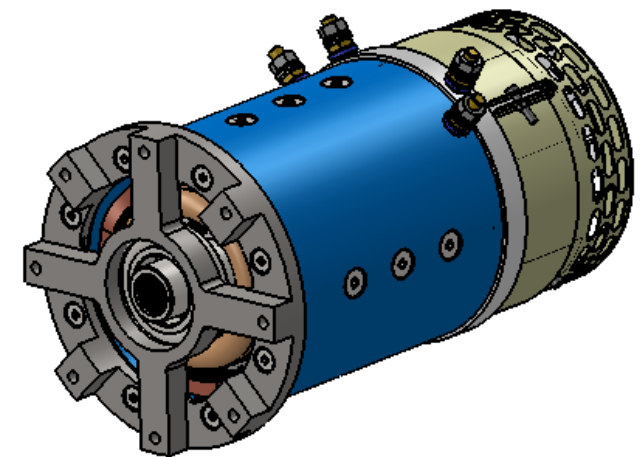
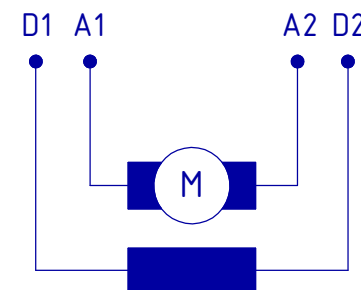


Technical Data

Id.№ R50121

Rated power	7,5	kW
Rated voltage	48	V DC
Rated r.p.m.	2300	r.p.m.
Rated torque	31	N.m
Rated current	195	A
Duty cycle	S2 = 60 min.	
Protection	IP 21	
Insulation class	F	
Weight	52	kg
Excitation	Series	

Connection diagram



JOINT-STOCK COMPANY

caproni

HYDRAULIC COMPONENTS AND SYSTEMS

6100 Kazanlak, BULGARIA, 45, General Stoletov Str.

E-mail: caproni@caproni.bg; WEB: <http://www.caproni.bg>